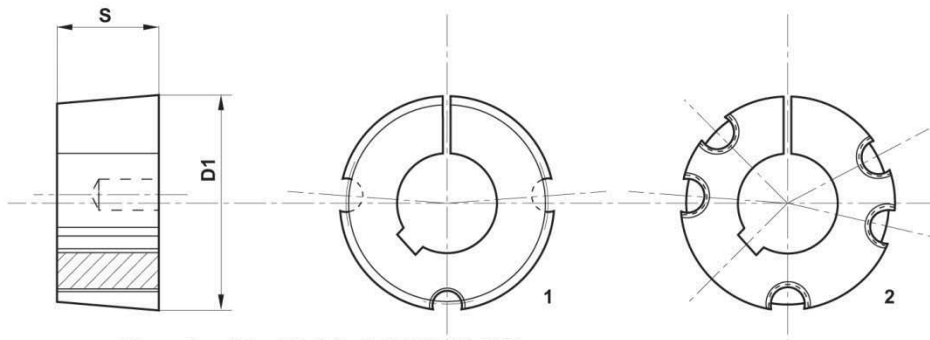
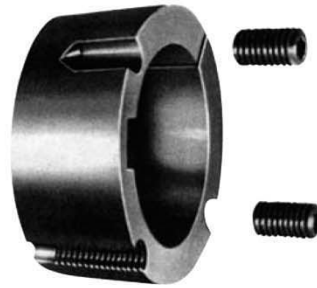


# manutec<sub>sa</sub>

## Casquillos cónicos



Hierro fundido EN-GJL-250 UNI EN 1561

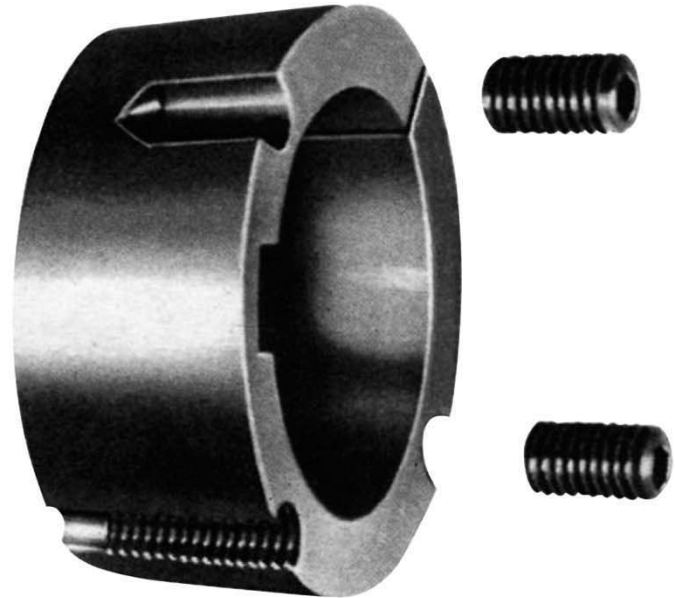
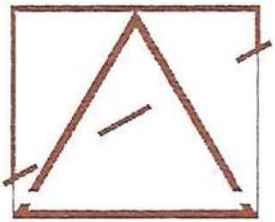
## Taladros standard de acopio serie metrica

Ejemplo: Numero de fabrica Taladros en mm Ø 14 = 1615014

TIPO BUSSOLA BUSH TYPE BUCHSE TYP MOYEUR TYPE CASQUILLOS TIPO	FORO (ISO E 8) BORE (ISO E 8) BOHRUNGE (ISO E 8) ALESAGE (ISO E 8) TALADRO (ISO E 8)	COPPIA TRASMISSIBILE N·m TRANSMISSIBLE TORQUE N·m HAFTMOMENT N·m COUPLE TRANSMISSIBILE N·m CUPLA DE TRANSMISSION N·m	VITI SCREWS SCHRAUBE VIS TORNILLO B.S.W.	D1	TIPO TYPE TYP TYPE TIPO	S	PESO WEIGHT GEWICHT POIDS PESO Kg
1008	9 10 11 12 14 16 18 19 20 22 24 25	136	1/4" x 1/2"	35,0	1	22,3	0,16
1108	9 10 11 12 14 16 18 19 20 22 24 25 28*	147	1/4" x 1/2"	38,0	1	22,3	0,16
1210	11 12 14 16 18 19 20 22 24 25 28 30 32	407	3/8" x 5/8"	47,5	1	25,4	0,32
1215	14 19 20 24 25 28	407	3/8" x 5/8"	47,5	1	38,1	0,50
1610	14 16 18 19 20 22 24 25 28 30 32 35 38 40* 42*	486	3/8" x 5/8"	57,0	1	25,4	0,41
1615	14 16 18 19 20 22 24 25 28 30 32 35 38 40* 42*	486	3/8" x 5/8"	57,0	1	38,1	0,60
2012	14 16 18 19 20 22 24 25 28 30 32 35 38 40 42 45 48 50*	808	7/16" x 7/8"	70,0	1	31,8	0,75
2517	16 18 19 20 22 24 25 28 30 32 35 38 40 42 45 48 50 55 60 65*	1310	1/2" x 1"	85,5	1	44,5	1,06
3020	25 28 30 32 35 38 40 42 45 48 50 55 60 65 70 75	2710	5/8" x 1" 1/4	108,0	1	50,8	2,50
3030	35 38 40 42 45 48 50 55 60 65 70 75	2710	5/8" x 1" 1/2	108,0	1	76,2	3,75
3525	35 38 40 42 45 48 50 55 60 65 70 75 80	5060	1/2" x 1" 1/2	127,0	2	64,9	4,20
3535	35 38 40 42 45 48 50 55 60 65 70 75 80 85 90*	5060	1/2" x 1" 1/2	127,0	2	88,9	5,13
4030	40 42 45 48 50 55 60 65 70 75 80 85 90 100*	8740	5/8" x 1" 1/2	146,0	2	76,2	6,75
4040	40 42 45 48 50 55 60 65 70 75 80 85 90 100*	8740	5/8" x 1" 3/4	146,0	2	101,6	7,68
4545	55 60 65 70 75 80 85 90 100*	12400	3/4" x 2"	162,0	2	115,0	10,56
5050	70 75 80 85 90 100 105 110 115 120 125	14200	7/8" x 2" 1/4	177,6	2	127,0	15,17

## Medidas de los chaveteros (UNI 6604 DIN 6885) con agujero standard serie mOtrica

D	b	Js9	t	Dimensioni delle cave Dimensions of keyways Abmessungen der Keilnuten Dimensiones des rainures de clavette Medidas de los chaveteros		
				D *	b	t
Over 10 to 12	4		D + 1,8			
» 12 » 17	5	± 0,015	D + 2,3			
» 17 » 22	6		D + 2,8			
» 22 » 30	8		D + 3,3			
» 30 » 38	10	± 0,018	D + 3,3			
» 38 » 44	12		D + 3,3			
» 44 » 50	14		D + 3,8			
» 50 » 58	16	± 0,021	D + 4,3			
» 58 » 65	18		D + 4,4			
» 65 » 75	20		D + 4,9			
» 75 » 85	22	± 0,026	D + 5,4			
» 85 » 95	25		D + 5,4			
» 95 » 110	28		D + 6,4			
» 110 » 130	32	± 0,031	D + 7,4			
				28*	8	D + 1,3
				35*	10	D + 1,3
				40*/42*	12	D + 1,3
				50*	14	D + 2,8
				65*	18	D + 2,8
				90*	25	D + 3,4
				100*	28	D + 5,4



### Taladros standard de acopio en pulgadas

TIPO BUSSOLA BUSH TYPE BUCHSE TYP MOYEU TYPE CASQUILLOS TIPO	FORO IN POLLICI (ISO E 8) BORE IN INCHES (ISO E 8) BOHRUNGE IN ZOLLTEILUNG (ISO E 8) ALESAGE EN POUÇES (ISO E 8) TALADRO EN PULGADAS (ISO E 8)
1008	3/8 - 7/16 - 1/2 - 9/16 - 5/8 - 11/16 - 3/4 - 13/16 - 7/8 - 15/16 - 1" - 1"1/16* - 1"1/8*
1108	3/8 - 7/16 - 1/2 - 9/16 - 5/8 - 11/16 - 3/4 - 13/16 - 7/8 - 15/16 - 1" - 1"1/16* - 1"1/8*
1210	1/2 - 9/16 - 5/8 - 11/16 - 3/4 - 13/16 - 7/8 - 15/16 - 1" - 1"1/16 - 1"1/8 - 1"3/16 - 1"1/4 - 1"5/16 - 1"3/8
1215	1/2 - 9/16 - 5/8 - 11/16 - 3/4 - 13/16 - 7/8 - 15/16 - 1" - 1"1/16 - 1"1/8 - 1"3/16 - 1"1/4 - 1"5/16 - 1"3/8
1610	1/2 - 9/16 - 5/8 - 11/16 - 3/4 - 13/16 - 7/8 - 15/16 - 1" - 1"1/16 - 1"1/8 - 1"3/16 - 1"1/4 - 1"5/16 - 1"3/8 - 1"7/16 - 1"1/2 - 1"5/8*
1615	1/2 - 9/16 - 5/8 - 11/16 - 3/4 - 13/16 - 7/8 - 15/16 - 1" - 1"1/16 - 1"1/8 - 1"3/16 - 1"1/4 - 1"5/16 - 1"3/8 - 1"7/16 - 1"1/2 - 1"5/8*
2012	3/4 - 13/16 - 7/8 - 15/16 - 1" - 1"1/16 - 1"1/8 - 1"3/16 - 1"1/4 - 1"5/16 - 1"3/8 - 1"7/16 - 1"1/2 - 1"5/8 - 1"3/4 - 1"7/8 - 2"
2517	3/4 - 7/8 - 15/16 - 1" - 1"1/16 - 1"1/8 - 1"3/16 - 1"1/4 - 1"5/16 - 1"3/8 - 1"7/16 - 1"1/2 - 1"5/8 - 1"3/4 - 1"7/8 - 2" - 2"1/8 - 2"1/4 - 2"3/8 - 2"1/2*
3020	1"1/4 - 1"5/16 - 1"3/8 - 1"7/16 - 1"1/2 - 1"5/8 - 1"3/4 - 1"7/8 - 2" - 2"1/8 - 2"1/4 - 2"3/8 - 2"1/2 - 2"5/8 - 2"3/4 - 2"7/8 - 3"
3030	1"1/4 - 1"5/16 - 1"3/8 - 1"7/16 - 1"1/2 - 1"5/8 - 1"3/4 - 1"7/8 - 2" - 2"1/8 - 2"1/4 - 2"3/8 - 2"1/2 - 2"5/8 - 2"3/4 - 2"7/8 - 3"
3525	1"1/2 - 1"5/8 - 1"3/4 - 1"7/8 - 2" - 2"1/8 - 2"1/4 - 2"3/8 - 2"1/2 - 2"5/8 - 2"3/4 - 2"7/8 - 3" - 3"1/8 - 3"1/4 - 3"3/8 - 3"1/2
3535	1"1/2 - 1"5/8 - 1"3/4 - 1"7/8 - 2" - 2"1/8 - 2"1/4 - 2"3/8 - 2"1/2 - 2"5/8 - 2"3/4 - 2"7/8 - 3" - 3"1/8 - 3"1/4 - 3"3/8 - 3"1/2
4030	1"3/4 - 1"7/8 - 2" - 2"1/8 - 2"1/4 - 2"3/8 - 2"1/2 - 2"5/8 - 2"3/4 - 2"7/8 - 3" - 3"1/8 - 3"1/4 - 3"3/8 - 3"1/2 - 3"3/4 - 4*
4040	1"3/4 - 1"7/8 - 2" - 2"1/8 - 2"1/4 - 2"3/8 - 2"1/2 - 2"5/8 - 2"3/4 - 2"7/8 - 3" - 3"1/8 - 3"1/4 - 3"3/8 - 3"1/2 - 3"3/4 - 4*
4545	2" - 2"1/8 - 2"1/4 - 2"3/8 - 2"1/2 - 2"5/8 - 2"3/4 - 2"7/8 - 3" - 3"1/8 - 3"1/4 - 3"3/8 - 3"1/2 - 3"3/4 - 4*
5050	2"3/4 - 2"7/8 - 3" - 3"1/8 - 3"1/4 - 3"3/8 - 3"1/2 - 3"3/4 - 4 - 4"1/4 - 4"1/2 - 4"3/4 - 5*

### Medidas de los chaveteros (B.S. 46: part. 1: 1958) en los casquillos con taladro standard en pulgadas

D		b	t		D *	Dimensioni delle cave Dimensions of keyways Abmessungen der Keilnuten Dimensions des rainures de clavette Medidas de los chaveteros	
OVER	TO					b	t
1/4	1/2	1/8	D + 1/16		D *	b	t
1/2	3/4	3/16	D + 3/32				
3/4	1"	1/4	D + 1/8				
1"	1" 1/4	5/16	D + 1/8				
1" 1/4	1" 1/2	3/8	D + 1/8				
1" 1/2	1" 3/4	7/16	D + 5/32				
1" 3/4	2"	1/2	D + 5/32				
2"	2" 1/2	5/8	D + 7/32				
2" 1/2	3"	3/4	D + 1/4				
3"	3" 1/2	7/8	D + 5/16				
3" 1/2	4"	1"	D + 3/8				
4"	5"	1" 1/4	D + 7/16				
5"	6"	1" 1/2	D + 1/2				
6"	7"	1" 3/4	D + 5/8				
					1"1/16* - 1"1/8*	5/16	D + 5/64
					1"5/8*	7/16	D + 1/8
					2"3/8* - 2"1/2*	5/8	D + 3/16
					3"3/4* - 3"1/2*	7/8	D + 1/4
					3"3/4* - 4" *	1"	D + 1/4
					5" *	1"1/4	D + 5/16